

Product datasheet

Specifications



circuit breaker, EasyPact Ezc250N , TMD, 200A , 3 poles 3d

Ezc250N3200

Main

Range of product	EasyPact
Product or component type	Circuit breaker
Device short name	Easypact Ezc250N
Circuit breaker name	Easypact Ezc250N
Device application	Distribution
Poles description	3P
Protected poles description	3t
Network type	CC CA
Network frequency	50/60 Hz
[In] rated current	200 A at 40 °C
[U _i] rated insulation voltage	690 V AC 50/60 Hz conforming to IEC 60947-2
[U _{imp}] rated impulse withstand voltage	6 kV conforming to IEC 60947-2
[U _e] rated operational voltage	550 V AC 50/60 Hz conforming to IEC 60947-2 250 V DC conforming to IEC 60947-2
Breaking capacity code	N
Breaking capacity	20 kA Icu at 440 V AC 50/60 Hz conforming to IEC 60947-2 50 kA Icu at 110...130 V AC 50/60 Hz conforming to IEC 60947-2 50 kA Icu at 220...240 V AC 50/60 Hz conforming to IEC 60947-2 20 kA Icu at 125 V DC 1P conforming to IEC 60947-2 20 kA Icu at 250 V DC 2P conforming to IEC 60947-2 25 kA Icu at 380 V AC 50/60 Hz conforming to IEC 60947-2 25 kA Icu at 400...415 V AC 50/60 Hz conforming to IEC 60947-2 8 kA Icu at 550 V AC 50/60 Hz conforming to IEC 60947-2
[I _{cs}] rated service breaking capacity	10 kA at 440 V AC 50/60 Hz conforming to IEC 60947-2 25 kA at 110/130 V AC 50/60 Hz conforming to IEC 60947-2 10 kA at 125 V DC conforming to IEC 60947-2 10 kA at 250 V DC conforming to IEC 60947-2 25 kA at 220/230/240 V AC 50/60 Hz conforming to IEC 60947-2 4 kA at 550 V AC 50/60 Hz conforming to IEC 60947-2 12.5 kA at 380 V AC 50/60 Hz conforming to IEC 60947-2 12.5 kA at 400/415 V AC 50/60 Hz conforming to IEC 60947-2
Suitability for isolation	Yes conforming to IEC 60947-2
Utilisation category	Category A
Trip unit name	TM-D
Trip unit technology	Thermal-magnetic
Trip unit rating	200 A at 50 °C
Protection type	Overload protection Short-circuit protection

Pollution degree	3 conforming to IEC 60664-1
	3 conforming to IEC 947-1

Complementary

Control type	Toggle
Mounting mode	Fixed
Mounting support	Backplate
Upside connection	Front
Downside connection	Front
Mechanical durability	10000 cycles
Connection pitch	35 mm
Local signalling	Positive contact indication
Neutral protection setting	Without protection
Earth-leakage protection	Without
Height	165 mm
Width	105 mm
Depth	60 mm

Environment

Standards	EN/IEC 60947-1
	GB/T 14048.2
	EN/IEC 60947-2
IP degree of protection	IP20 conforming to IEC 60529
IK degree of protection	IK07 conforming to IEC 62262
Ambient air temperature for operation	-25...70 °C
Ambient air temperature for storage	-35...85 °C

Packing Units

Unit Type of Package 1	PCE
Number of Units in Package 1	1
Package 1 Height	10.500 cm
Package 1 Width	11.500 cm
Package 1 Length	18.000 cm
Package 1 Weight	1.570 kg
Unit Type of Package 2	S03
Number of Units in Package 2	8
Package 2 Height	30.000 cm
Package 2 Width	30.000 cm
Package 2 Length	40.000 cm
Package 2 Weight	12.940 kg
Unit Type of Package 3	P12
Number of Units in Package 3	64
Package 3 Height	50.000 cm

Package 3 Width	80.000 cm
-----------------	-----------

Package 3 Length	120.000 cm
------------------	------------

Package 3 Weight	120.856 kg
------------------	------------

Contractual warranty

Warranty	18 months
----------	-----------




Environmental Data


Schneider Electric aims to achieve Net Zero status by 2050 through supply chain partnerships, lower impact materials, and circularity via our ongoing “Use Better, Use Longer, Use Again” campaign to extend product lifetimes and recyclability.

[Environmental Data explained >](#)



[How we assess product sustainability >](#)

 Environmental footprint	
Carbon footprint (kg.eq.CO2 per CR, Total Life cycle)	548
Environmental Disclosure	Product Environmental Profile

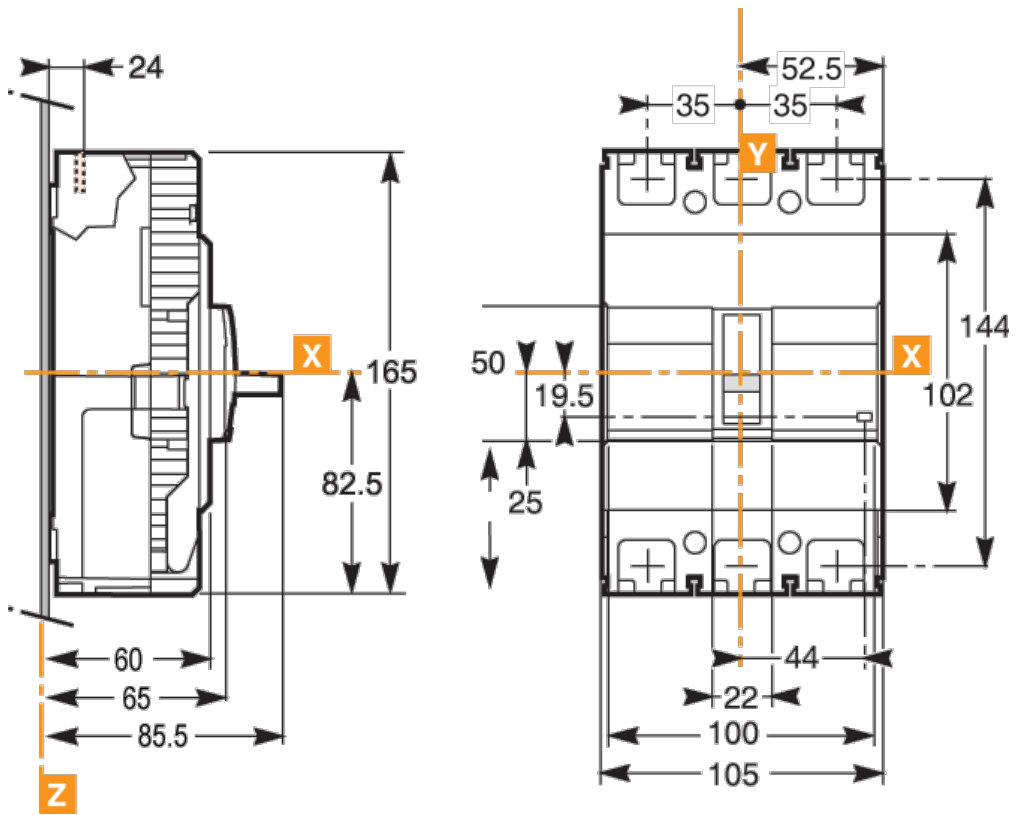
Use Better

 Materials and Substances	
Packaging made with recycled cardboard	Yes
Packaging without single use plastic	Yes
EU RoHS Directive	Compliant
REACH Regulation	REACH Declaration

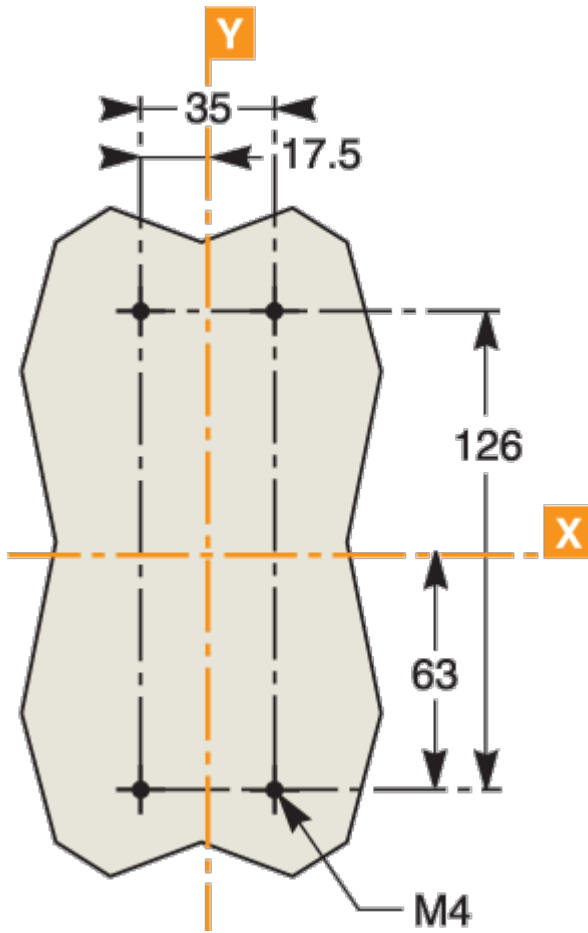
Use Again

 Repack and remanufacture	
Circularity Profile	No need of specific recycling operations
Take-back	No
WEEE	 The product must be disposed on European Union markets following specific waste collection and never end up in rubbish bins

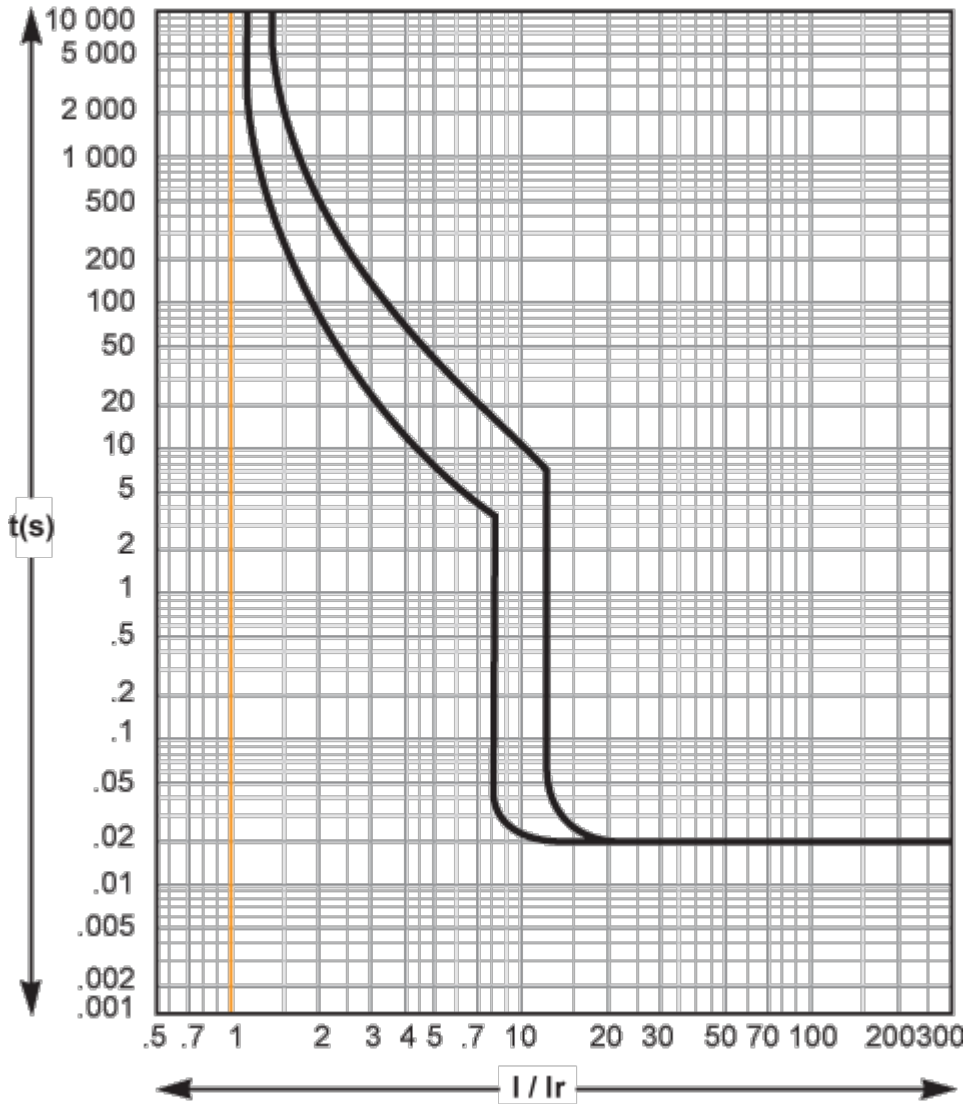
Dimensions Drawings



Assembly



Performance Curves



Offer Marketing Illustration

Product benefits / Features

EasyPact EZC Moulded Case Circuit Breaker



Easy to choose

A wide range of auxiliaries, and accessories for effortless selection and complete customization.



Effortless setup

Fixed front mounting, plug-in option, front connections, and interchangeable MCCB and ELCB for seamless adaptability.



Easy to use

Positive contact indication for enhanced safety and reliability with compact case optimized for tight spaces.



Offer Marketing Illustration

Product benefits / Features



Offer Marketing Illustration

Product benefits / Features



EasyPact EZC
Technical Benefits

- ideal for simple applications in smaller buildings
- Rated current from 15 to 630 A
- Breaking capacity up to 50 kA at 400/415 V.
- 1, 2, 3 and 4 pole versions and 3 frame sizes.
- Thermal-magnetic for the entire range.
- Built-in integrated earth-leakage protection (EZC 250 ELCB).
- Compliance with international standards: IEC 60947-1 and 2, CCC, EAC and other local certifications.

Technical Illustration

Assembly's dimensions

